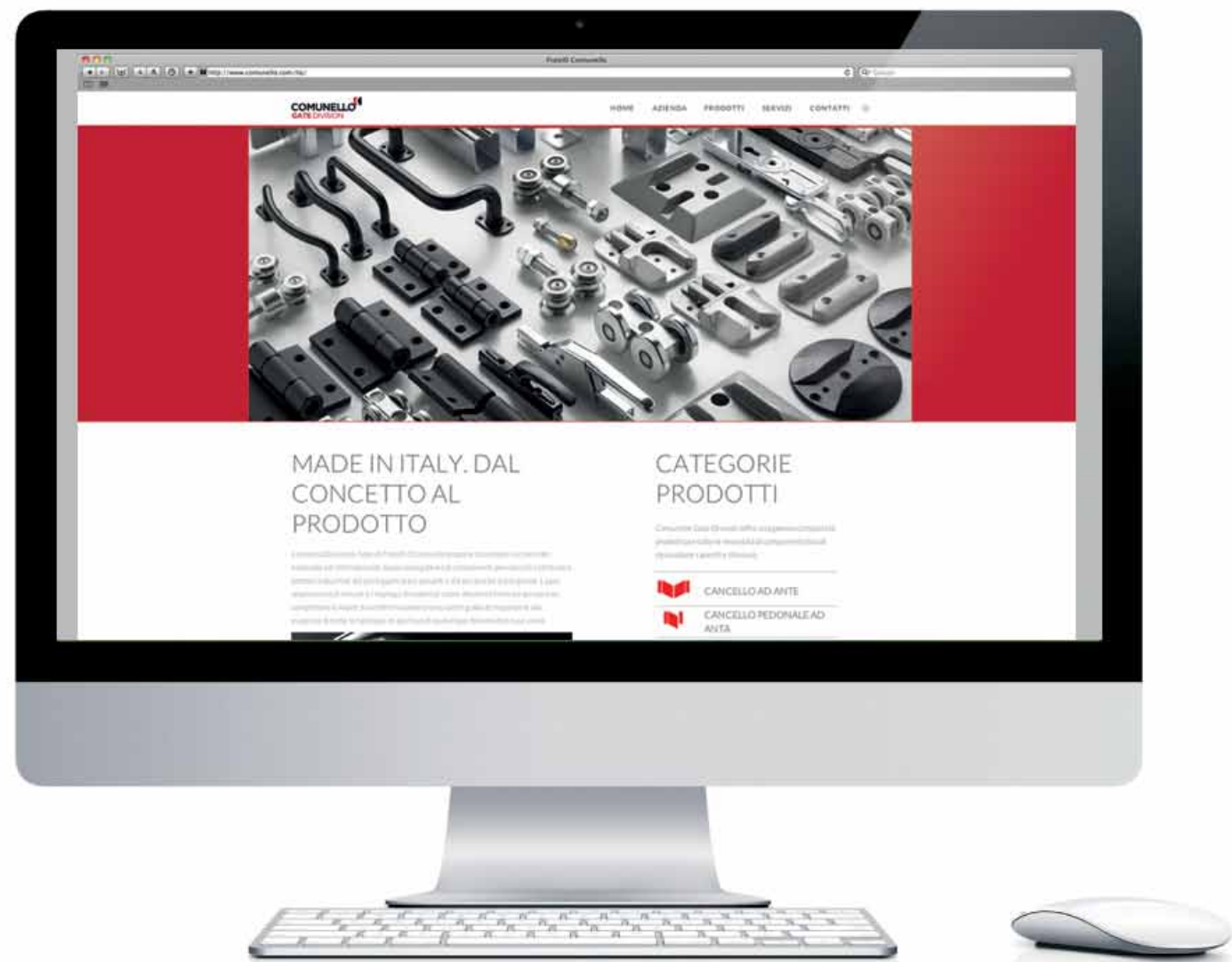




STOPS

03

Configurator



Comunello is committed to remaining at the forefront of technological and digital evolution and has developed a range of **web-based applications** for use across all mobile devices and platforms. These apps are designed to be easy and intuitive to use and provide access to the full range of Comunello products simply by entering a few key pieces of information on **gate size, weight and dimensions**. Configurators are available for all gate types: Cantilever, Sliding and Swing.

Residential swing gates

Configuratore cancello battente.
Scegli dalla nostra gamma di componenti
di alta qualità.

Swing gate configurator.
Choose from our vast range of
high quality components.



Serrature e accessori
Locks and accessories



ART.	PAG.
73	176
74	177
78	178
80	178

Cardini e piastre/ Hinges and plates

ART.	PAG.	ART.	PAG.	ART.	PAG.
81	20	100	38	161	52
82	21	100PST	37	162	52
85	22	105	39	163	52
85L	24	105PST	37	164	53
85PST	24	106	37	172	54
85XL	23	106PST	40	174	55
86P	24	110	41	175	56
86G	25	115	41	176	53
86L-P	26	115PST	42	178	57
86L-G	26	117	42	180	58
86PST	26	117PST	43	182	59
87P	27	120	44	184	58
87	28	125	43	185	58
87L-P	29	130	46	186	60
87L	30	135	45	188	60
87PST P	29	140	46	189	60
87PST	31	150	46	190	61
87XL	32	154	47	192	61
88	33	154R-CV	48	194	61
88L	34	155	49	194 PST	62
88PST	34	157CV	47	196	62
89	34	157AL	47	198	62
90	35	159	50	282	63
92G	36	159R-CV	50	285	63
94	36	160	51		
96G	36	160 XL	50		

Battenti
Stops



ART.	PAG.
166	66
167	66
168	66
169	67
170	68
171	69

Arresti di fine corsa
Runaway stops



ART.	PAG.
201	78
202	77
202F-B	79

Pedestrian gates

Configuratore cancello pedonale.
Scegli dalla nostra gamma di componenti
di alta qualità.

Pedestrian gate configurator.
Choose from our vast range of
high quality components.



Serrature e accessori Locks and accessories



ART.	PAG.
73	176
74	177
78	178
80	178
205	178
209	179
210	179
211	179
213	180

Cardini / Hinges



ART.	PAG.	ART.	PAG.	ART.	PAG.
81	20	100	38	161	52
82	21	100PST	37	162	52
85	22	105	39	163	52
85L	24	105PST	37	164	53
85PST	24	106	37	172	54
85XL	23	106PST	40	174	55
86P	24	110	41	175	56
86G	25	115	41	176	53
86L-P	26	115PST	42	178	57
86L-G	26	117	42	180	58
86PST	26	117PST	43	182	59
87P	27	120	44	184	58
87	28	125	43	185	58
87L-P	29	130	46	186	60
87L	30	135	45	188	60
87PST P	29	140	46	189	60
87PST	31	150	46	190	61
87XL	32	154	47	192	61
88	33	154R-CV	48	194	61
88L	34	155	49	194 PST	62
88PST	34	157CV	47	196	62
89	34	157AL	47	198	62
90	35	159	50	282	63
92G	36	159R-CV	50	285	63
94	36	160	51		
96G	36	160 XL	50		

Arresti per ante battenti Gate stops



ART.	PAG.
201	78
202	77
202F-B	79

Catenacci Bolt latches



ART.	PAG.	ART.	PAG.	ART.	PAG.
710	191	800	197		
712	191	805	198		
714	191	810	198		
716	192	820	198		
720	193	825	199		
725	192	827	199		
730i	192	835	200		
735	194	837	200		
737	194	840	201		
740	195	840D	201		
745	195	852	202		
750	196	855	202		
752	196	857	203		
755	196	860	203		
760	197	862	203		



166

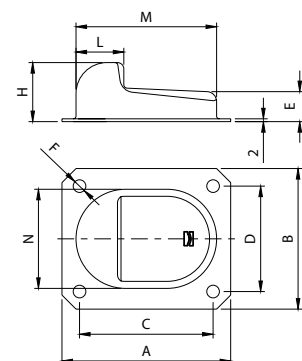
Battente d'arresto a fissare
 Stop batten to be fixed
 Battent d'arrêt à fixer
 Aufaufschuh zum Anschrauben
 Tope para fijar
 Прикрепляемый стопор



CODE	ART.	Size	A	B	C	D	E	F	H	L	M	N	Box info	
													Pcs per pack	Kg
10704601 001	166P	Piccolo	120	100	95	75	21	Ø9	42	34	100	70	25	7,40
10704602 001	166G	Grande	160	130	125	100	23	Ø11	48	40	130	90	10	4,80

Finishing: Zincato / Galvanized

Categoria commerciale: 1G



169

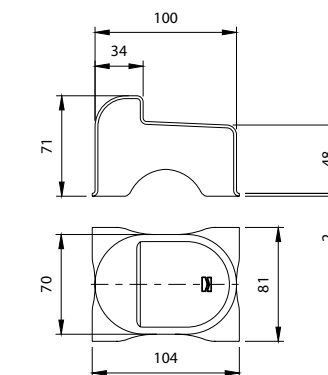
Battente d'arresto a cementare
 Stop batten to be cemented
 Battent d'arrêt à sceller
 Aufaufschuh zum Ausbetonieren
 Tope para cementar
 Цементируемый стопор



CODE	ART.	Box info	
		Pcs per pack	Kg
10700905 001	169	25	7,9

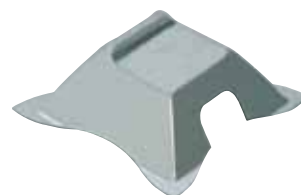
Finishing: Zincato / Galvanized

Categoria commerciale: 1G



167

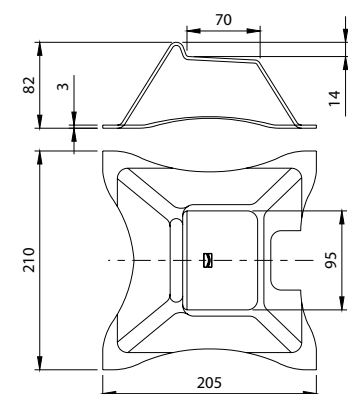
Battente d'arresto a cementare
 Stop batten to be cemented
 Battent d'arrêt à sceller
 Aufaufschuh zum Ausbetonieren
 Tope para cementar
 Цементируемый стопор



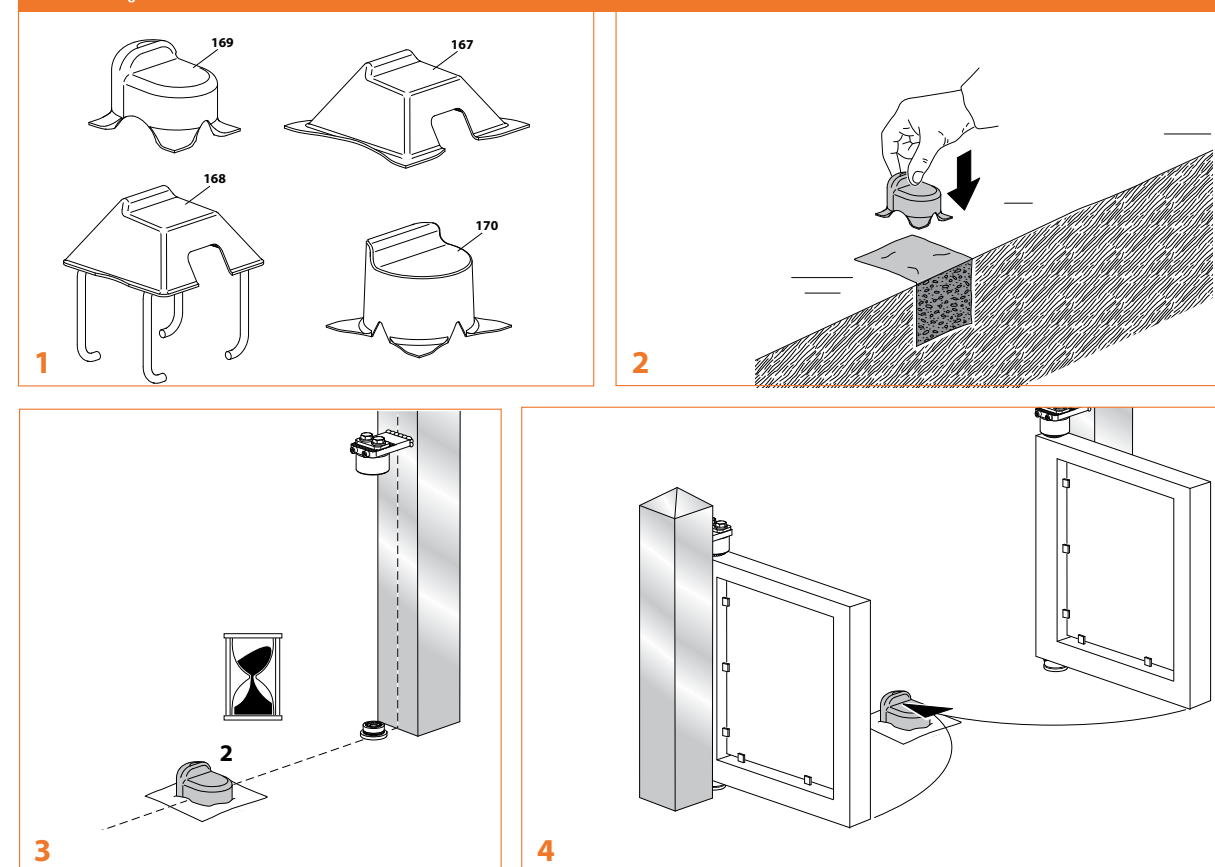
CODE	ART.	Box info	
		Pcs per pack	Kg
10700705 001	167	10	12,2

Finishing: Zincato / Galvanized

Categoria commerciale: 1G



Mounting instructions art. 169



168

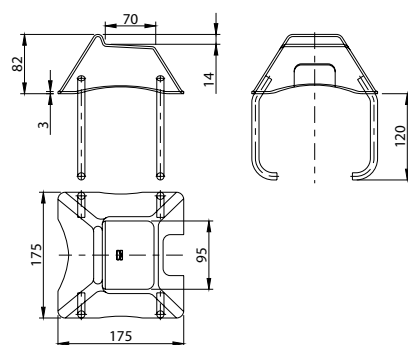
Battente d'arresto a cementare con ancoranti
 Stop batten to be cemented with tie rods
 Battent d'arrêt à sceller avec tirants
 Aufaufschuh zum Ausbetonieren mit Ankern
 Tope para cementar con anclajes
 Цементируемый стопор с анкерными креплениями



CODE	ART.	Box info	
		Pcs per pack	Kg
10700805 001	168	4	6,4

Finishing: Zincato / Galvanized

Categoria commerciale: 1G





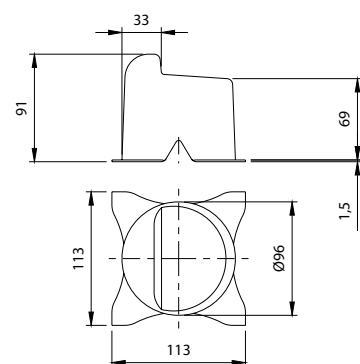
170

Battente d'arresto a cementare
Stop batten to be cemented
Battent d'arrêt à sceller
Auflaufschuh zum Ausbetonieren
Tope para cementar
Цементируемый стопор



CODE	ART.	Box info	
		Pcs per pack	Kg
10701005 001	170	25	8,5

Finishing: Zincato / Galvanized Categoria commerciale: 1G



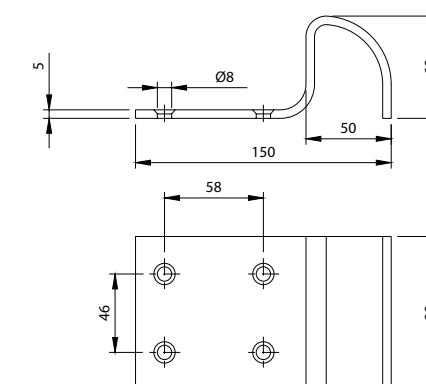
171

Battente d'arresto a fissare
Stop batten to be fixed
Battent d'arrêt à fixer
Auflaufschuh zum Anschrauben
Tope para fijar
Прикрепляемый стопор



CODE	ART.	Box info	
		Pcs per pack	Kg
10701205 001	171	10	8,2

Finishing: Zincato / Galvanized Categoria commerciale: 1G



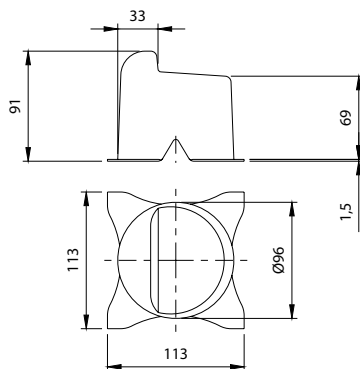
170i

Battente d'arresto a cementare
Stop batten to be cemented
Battent d'arrêt à sceller
Auflaufschuh zum Ausbetonieren
Tope para cementar
Цементируемый стопор

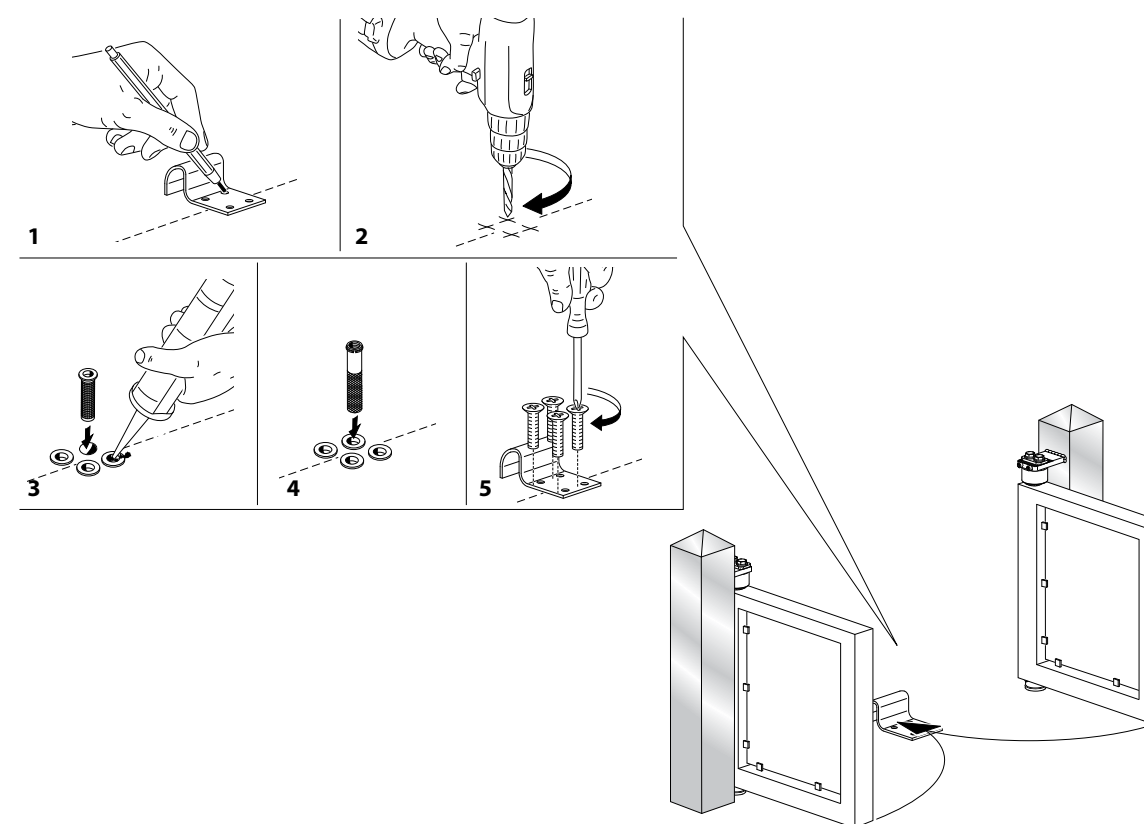


CODE	ART.	Box info	
		Pcs per pack	Kg
10701105	170i	5	1,8

Finishing: Inox / Stainless steel Categoria commerciale: 2G



Mounting instructions art. 171





199

Incontro superiore con
tappo ammortizzatore

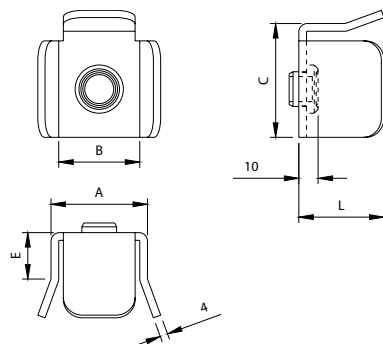
Upper end with shock absorber cup
Butée supérieure avec bouchon amortisseur
Oberer Auflageschuh mit Schlusdämpfer
Encuentro superior con tapón amortiguador
Верхний упор с амортизирующим буфером



CODE	ART.	Size	A	B	C	E	L	Box info	
								Pcs per pack	Kg
10704701	199-40	Piccolo	50	42	59	24	45	6	1,6
10704705	199-50	Medio	60	52	69	30	50	6	2,3
10704710	199-60	Grande	70	62	79	35	60	6	3,0

Finishing: Non zincato / Not galvanized

Categoria commerciale: 1G



202

Arresto di fine corsa con base
a fissare

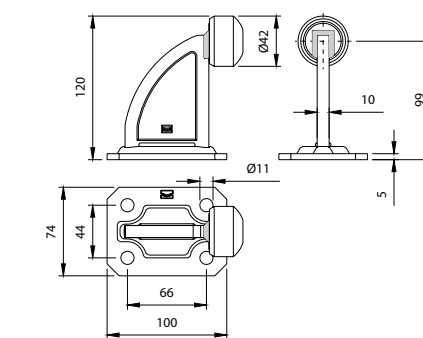
Runaway stop to be screwed
Boutoir de fin de course avec base à visser
Torendpuffer mit Befestigungsplatte zum Anschrauben
Tope de final de carrera con base para fijar
Стопор конца хода с прикрепляемым основанием



CODE	ART.	R	Box info	
			Pcs per pack	Kg
10701810 001	202		10	7,4

Finishing: Zincato / Galvanized

Categoria commerciale: 1G



200

Arresto di fine corsa

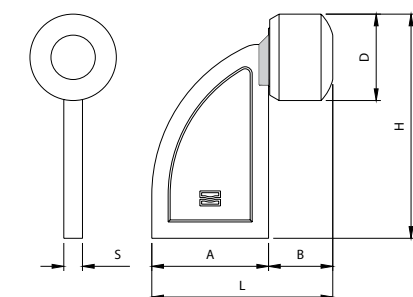
Runaway stop
Boutoir de fin de course
Torendpuffer
Tope de final de carrera
Стопор конца хода



CODE	ART.	Size	A	B	D	H	L	S	Box info	
									Pcs per pack	Kg
10701505 001	200P	Piccolo	50	27	Ø37	96	77	8	30	7,9
10701510 001	200G	Grande	70	28	Ø42	120	98	10	15	6,9

Finishing: Zincato / Galvanized

Categoria commerciale: 1G



202F-A

Arresto di fine corsa ammortizzato
con base a fissare

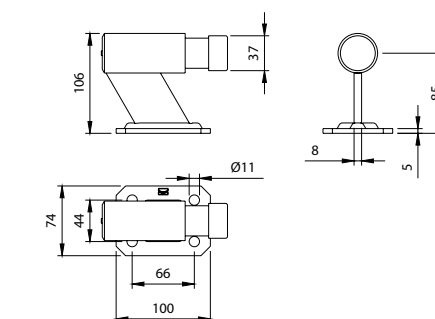
Damped runaway stop to be screwed
Boutoir de fin de course amorti avec base à visser
Torendpuffer mit Platte zum Anschrauben
Tope de final de carrera amortiguado con base para fijar
Амортизированный стопор конца хода с прикрепляемым основанием



CODE	ART.	R	Box info	
			Pcs per pack	Kg
10704201 001	202F-A		4	5,6

Finishing: Zincato / Galvanized

Categoria commerciale: 1G



200i-G

Arresto di fine corsa

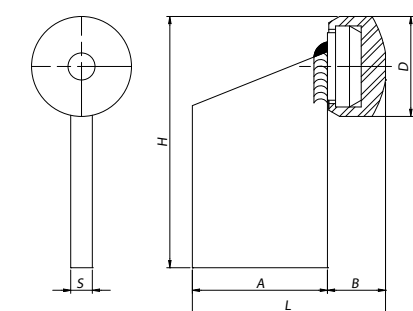
Runaway stop
Boutoir de fin de course
Torendpuffer
Tope de final de carrera
Стопор конца хода



CODE	ART.	Size	A	B	D	H	L	S	Box info	
									Pcs per pack	Kg
10701610	200i-G	Grande	70	21	Ø42	115	91	10	5	2,9

Finishing: Inox / Stainless steel

Categoria commerciale: 2G



202F-C

Arresto di fine corsa regolabile
a fissare

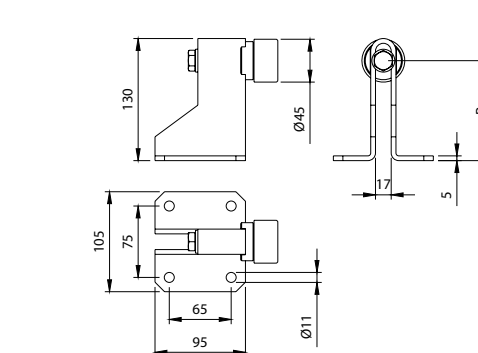
Adjustable runaway stop to be screwed
Boutoir de fin de course à visser réglable
Verstellbarer Torendpuffer zum Anschrauben
Tope de final de carrera regulable para fijar
Прикрепляемый регулируемый стопор конца хода



CODE	ART.	R	Box info	
			Pcs per pack	Kg
1074401 001	202F-C	70-115	10	12,4

Finishing: Zincato / Galvanized

Categoria commerciale: 1G





201

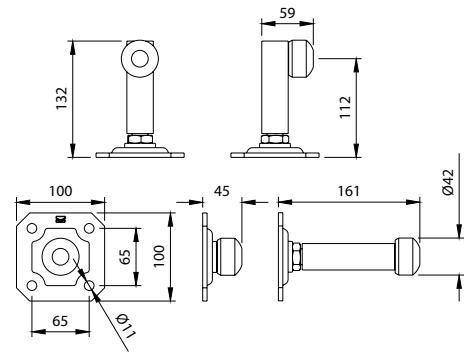
Battente "Tris" a fissare tripla funzione
Strike plate to be fastened with triple function
Butée à fixer triple fonction
Auflaufschuh zur Befestigung mit dreifacher Funktion
Tope "tris" para fijar triple función
Упор "трис" приклепываемый с тройной функцией



CODE	ART.	Box info	
		Pcs per pack	Kg
10701450 001	201	2	2,8

Finishing: Zincato / Galvanized

Categoria commerciale: 1G



202F-B

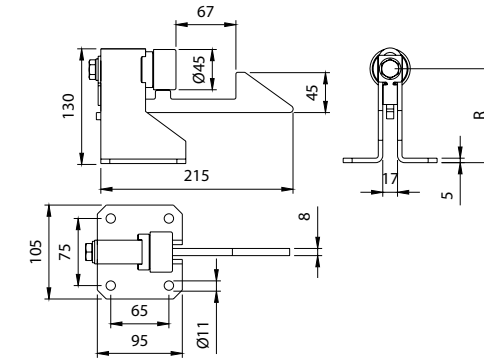
Arresto di fine corsa regolabile a fissare per cancelli ad anta
Adjustable runaway stop to be screwed for wing gates
Boutoir de fin de course à visser réglable pour portails à vantaux
Verstellbarer Torenpuffer zum Anschrauben für Flügeltore
Tope de final de carrera regulable para fijar para puertas de hoja
Приклепываемый регулируемый стопор конца хода для распашных ворот



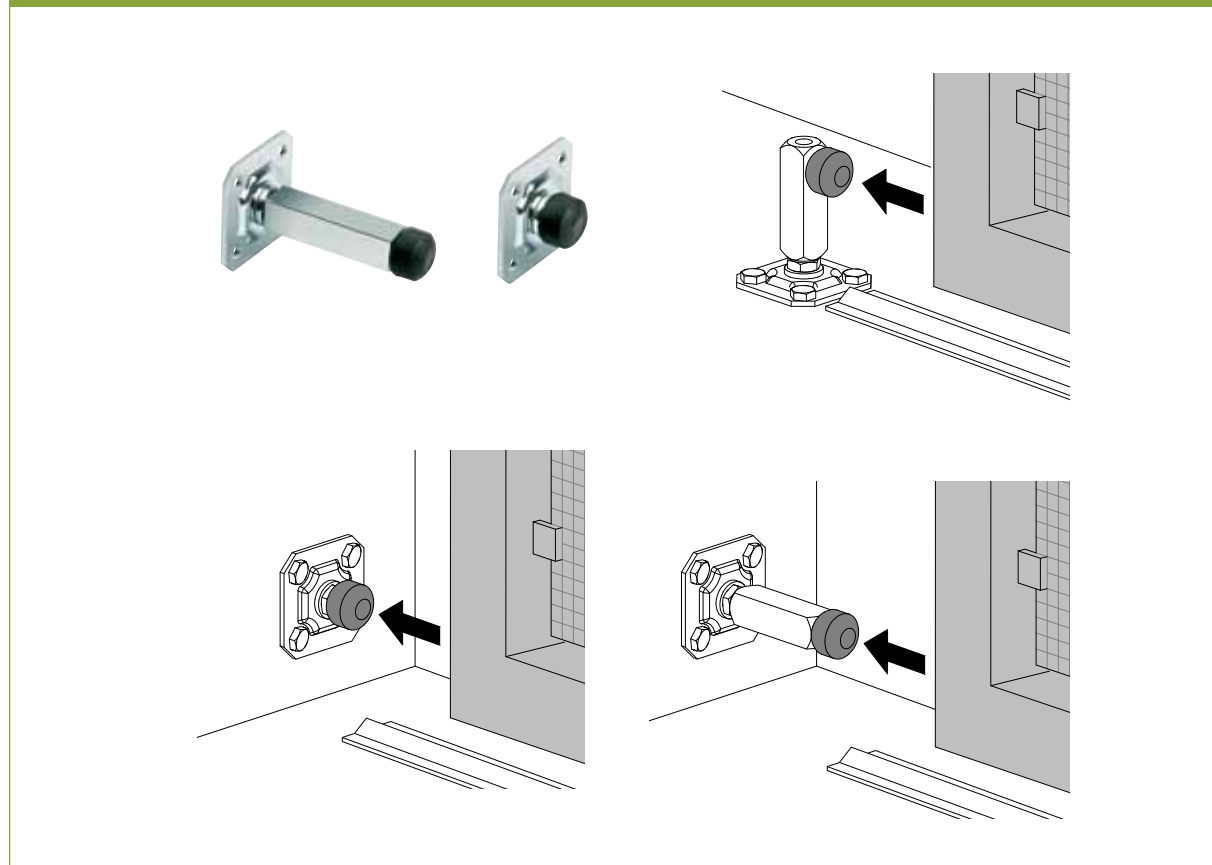
CODE	ART.	R	Box info	
			Pcs per pack	Kg
10704301 001	202F-B	70-115	4	6,4

Finishing: Zincato / Galvanized

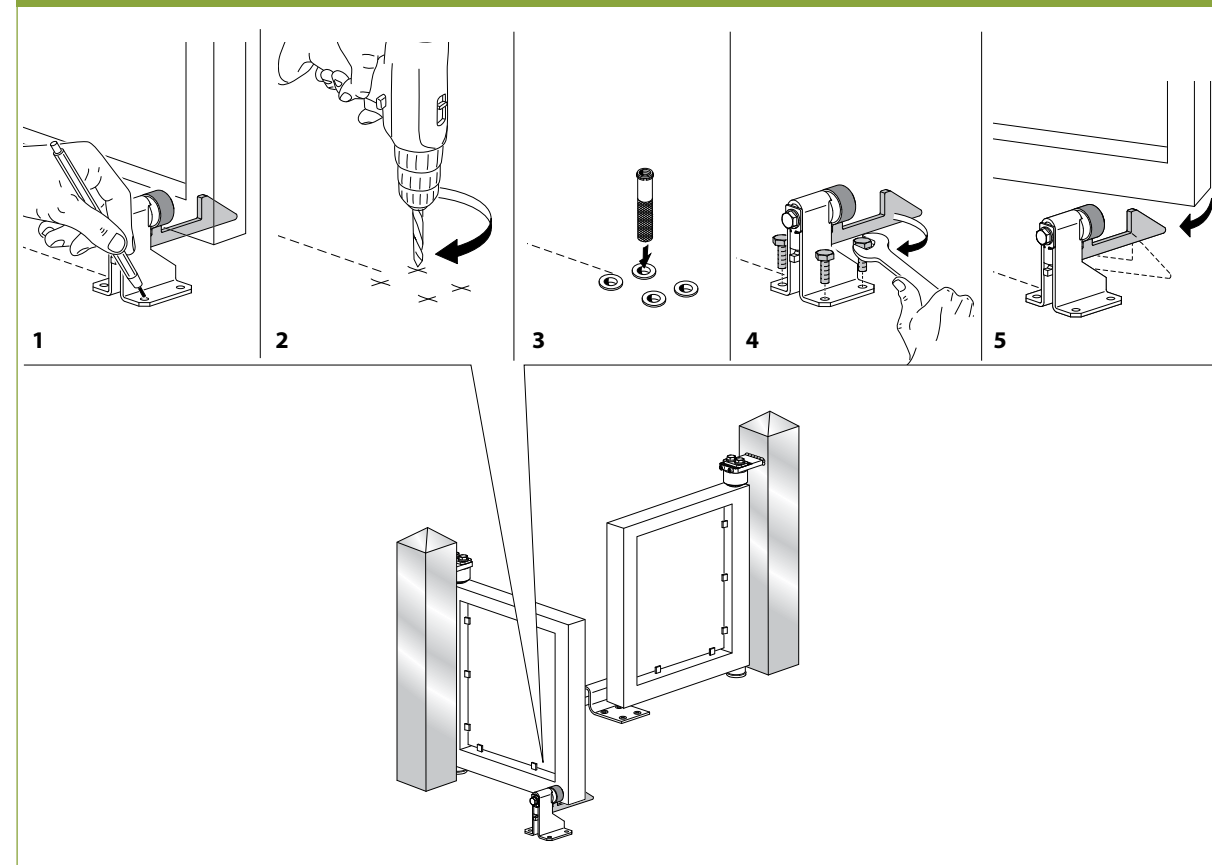
Categoria commerciale: 1G



Mounting instructions art. 201



Mounting instructions art. 202F-B





204

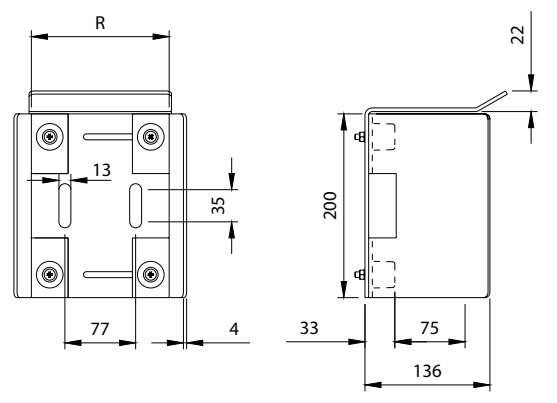
Incontro chiuso regolabile con
tappi ammortizzatori
Closed adjustable end with shock absorber cups
Butée fermée réglable avec bouchons amortisseurs
Verstellbarer geschlossener Auflageschuh mit
Schlussdämpfern
Encuentro cerrado regulable con tapones amortiguadores
Закрытый регулируемый упор с амортизирующими
буферами



CODE	ART.	R		Box info	
				Pcs per pack	Kg
10704550 001	204	80-150	10	2	7,3

Finishing: Zincato / Galvanized

Categoria commerciale: 1G



202A

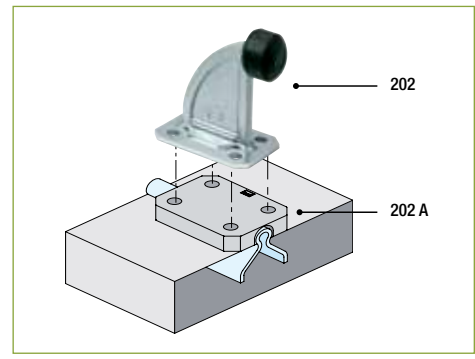
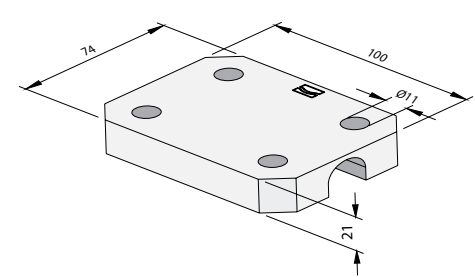
Adattatore in nylon per arresto di
fine corsa a fissare
Nylon adapter for runaway stop to be screwed
Adaptateur en nylon pour butoir de fin de course à visser
Nylon-Passtreck für Befestigungsplatte zum Anschrauben
Adaptador de nylon para tope de fin de carrera para fijar
Приклепняемый адаптер из нейлона для остановки
в конце хода



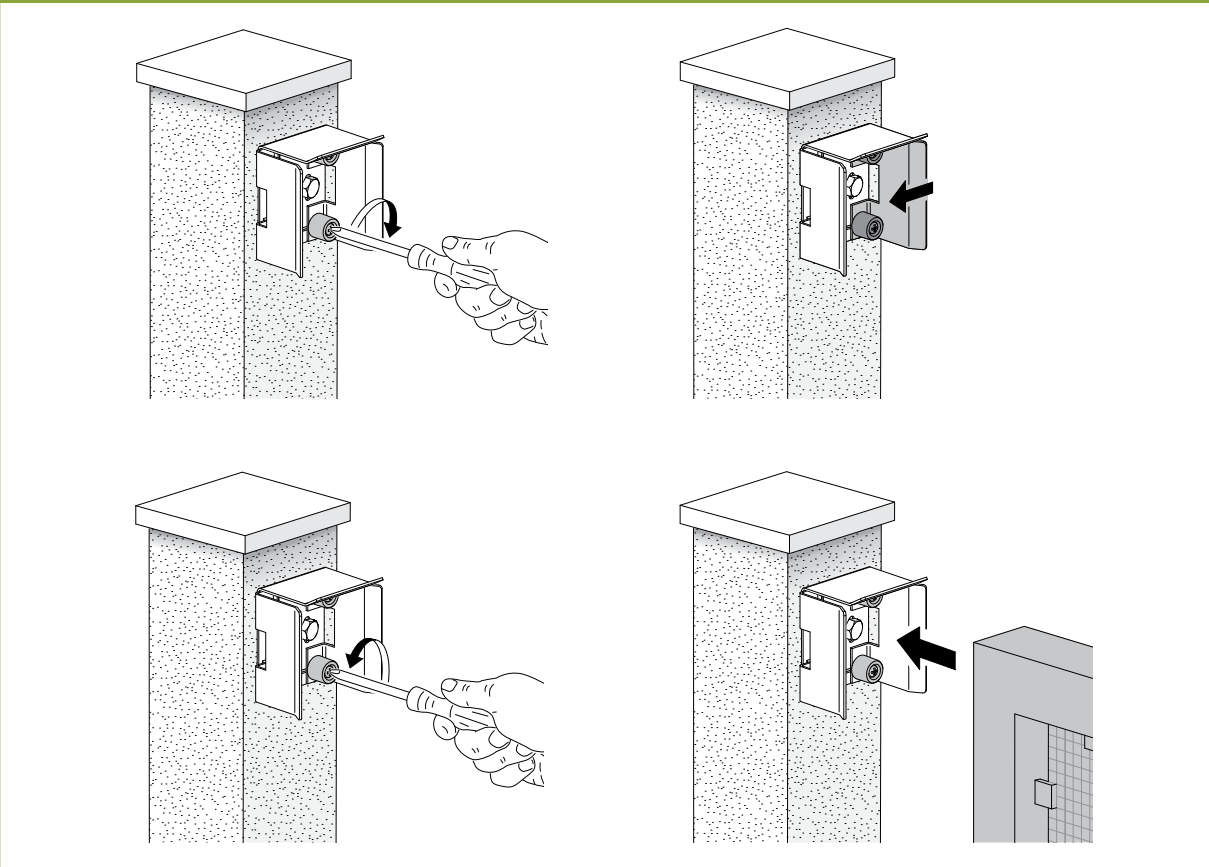
CODE	ART.	R		Box info	
				Pcs per pack	Kg
10502101	202A			10	0,9

Finishing: Nylon

Categoria commerciale: 1G



Mounting instructions art. 204



203

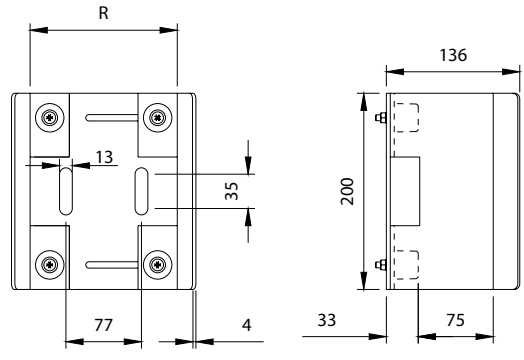
Incontro aperto regolabile con
tappi ammortizzatori
Open adjustable end with shock absorber cups
Butée ouverte avec bouchons amortisseurs
Verstellbarer geöffneter Auflageschuh mit
Schlussdämpfern
Encuentro abierto regulable con tapones amortiguadores
Открытый регулируемый упор с амортизирующими
буферами



CODE	ART.	R		Box info	
				Pcs per pack	Kg
10704501 001	203	80-150	10	2	5,8

Finishing: Zincato / Galvanized

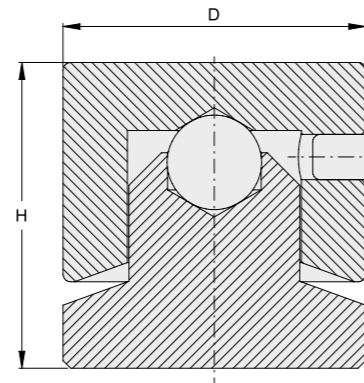
Categoria commerciale: 1G



VC4241 **NEW**



Cardine inferiore con ingrassatore
Bottom pivot hinge with lubrication nipple

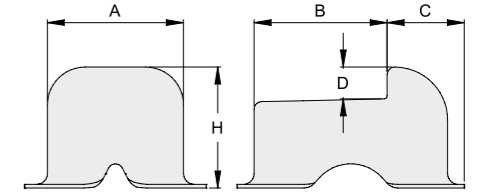


COD.	ART.	D	H	d sfera ball	FINITURA
VC4241.030	285.30	30	35	9.5	12 zinc./galv.
VC4241.040	285.40	40	40	12.5	12 zinc./galv.
VC4241.050	285.50	50	50	15	8 zinc./galv.
VC4241.060	285.60	60	63	18	8 zinc./galv.

VC5101

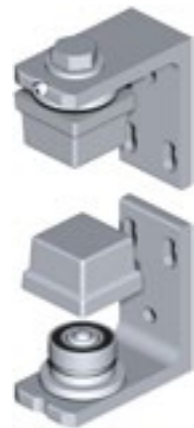


Battente a terra per cancelli a 2 ante
Ground centre stop for double swing gates

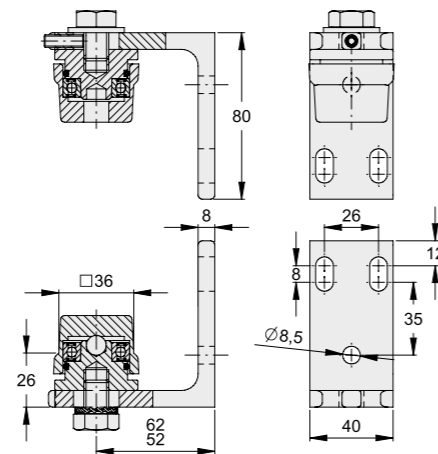


COD.	ART.	A	B	C	D	H	FINITURA
VC5101.070	145	72	66	34	18	70	40 zinc./galv.
VC5101.090	146	90	90	40	21	86	20 zinc./galv.
VC5101.070.i	1145	72	66	34	18	70	10 inox
VC5101.090.i	1146	90	90	40	21	86	10 inox

VC4351 **NEW**



Coppia di cardini con cuscinetto
Couple hinges with bearing



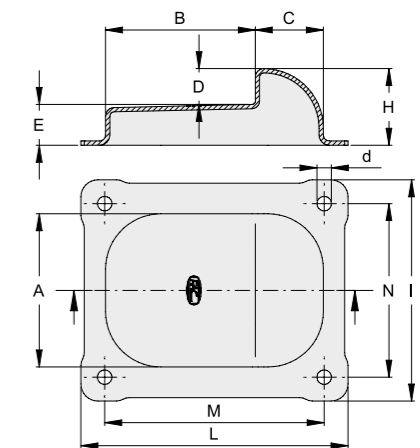
COD.	ART.	FINITURA
VC4351.040	-	2 zinc./galv.

Per tubolare quadro da 40 mm
For 40 mm squared tubular

VC5102

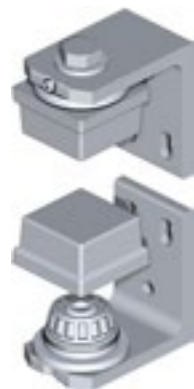


Battente a terra con flangia per cancelli a 2 ante a fissare
Ground centre stop with flange for double swing gates to fix

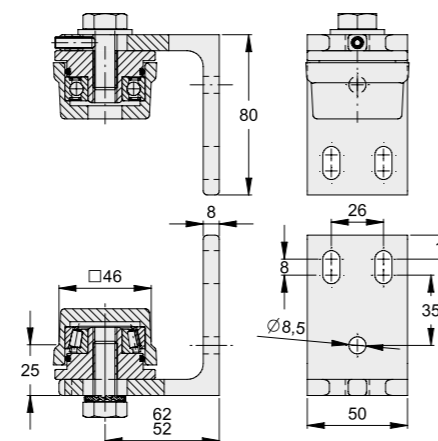


COD.	ART.	A	B	C	D	E	H	d	L	I	M	N	FINITURA
VC5102.070	145F	70	66	34	18	19	37	6.5	122	100	100	78	20 zinc./galv.
VC5102.090	146F	90	90	40	21	23	44	8.5	157	130	129	102	10 zinc./galv.
VC5102.090.i	1146F	90	90	40	21	23	44	8.5	157	130	129	102	10 inox

VC4352 **NEW**



Coppia di cardini con cuscinetto
Couple hinges with bearing



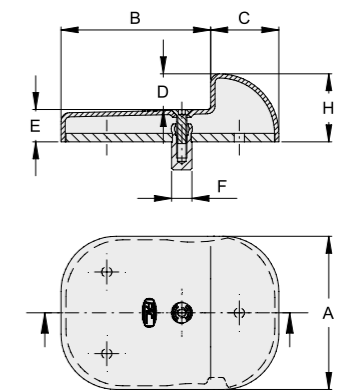
COD.	ART.	FINITURA
VC4352.050	-	2 zinc./galv.

Per tubolare quadro da 50 mm
For 50 mm squared tubular

VC5103



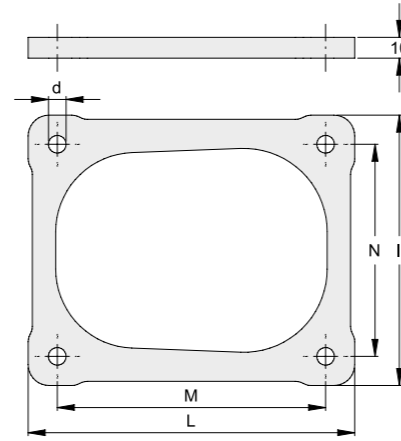
Battente a terra con piastra interna per cancelli a 2 ante a fissare
Ground centre stop plate for double swing gates to fix



COD.	ART.	A	B	C	D	E	F	H	FINITURA
VC5103.070	145P	70	66	34	18	13	12	31	10 zinc./galv.
VC5103.090	146P	90	90	40	21	18	12	39	4 zinc./galv.
VC5103.070.i	1145P	70	66	34	18	13	12	31	10 inox
VC5103.090.i	1146P	90	90	40	21	18	12	39	4 inox

VC5122

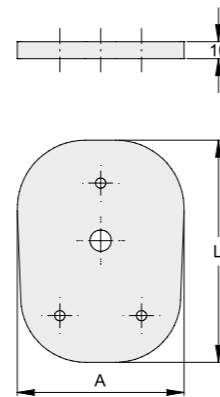
Piastrina di sollevamento per battenti flangiati a fissare
Spacer for flanged ground centre stop to fix



COD.	ART.	d	L	I	M	N	FINITURA
VC5122.070	145FSP	6.5	122	100	100	78	8 zinc./galv.
VC5122.090	146FSP	8.5	157	130	129	102	8 zinc./galv.

VC5123

Piastrina di sollevamento per battenti bassi a fissare
Spacer for ground centre stop

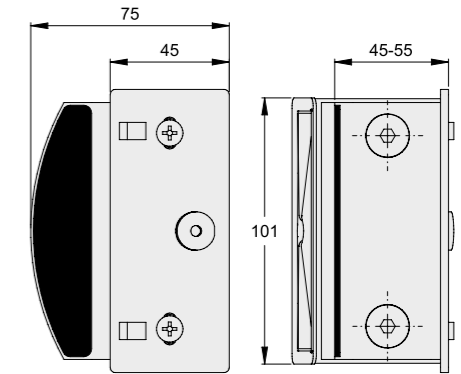


COD.	ART.	A	L	FINITURA
VC5123.070	145SP	74	102	10 zinc./galv.
VC5123.090	146SP	98	130.5	4 zinc./galv.

VC5200

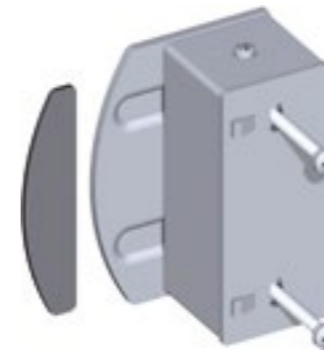


Battente porta-incontro per elettroserrature regolabile
Adjustable door strike for electric locks

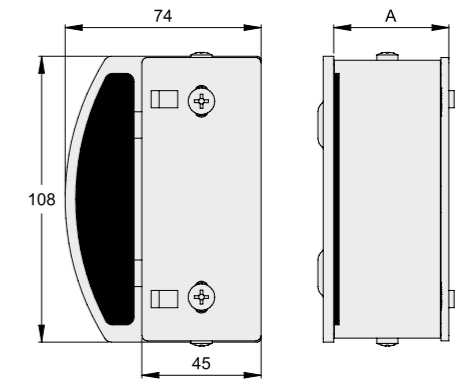


COD.	ART.	FINITURA
VC5200.050	150	4 zinc./galv.

VC5201



Battente porta-incontro per elettroserrature
Door strike for electric locks

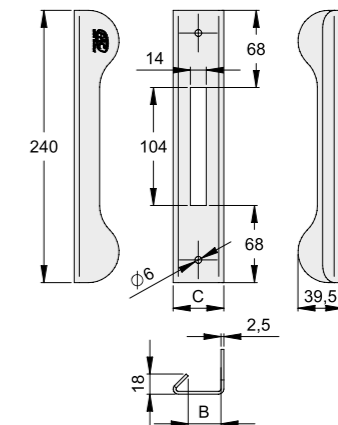


COD.	ART.	A	FINITURA
VC5201.030	151.30	30	6 zinc./galv.
VC5201.035	151.35	35	6 zinc./galv.
VC5201.040	151.40	40	6 zinc./galv.
VC5201.050	151.50	50	4 zinc./galv.
VC5201.060	151.60	60	4 zinc./galv.

VC5203



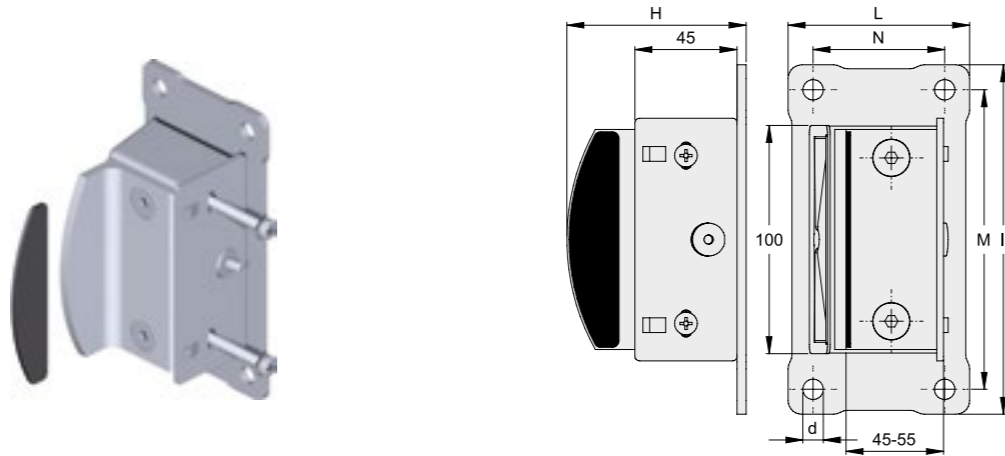
Battente per serrature ad incasso
Door strike for recessed safety locks



COD.	ART.	B	C	FINITURA
VC5203.040	153.40	29	45	4 zinc./galv.

VC5210

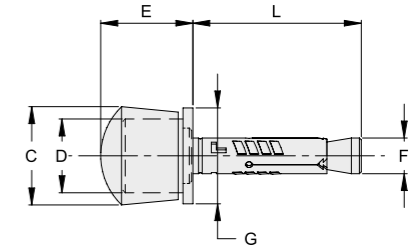
Battente porta-incontro regolabile con piastra a 4 fori per elettroserrature
Adjustable door strike with 4 holes plate for electric locks



COD.	ART.	H	I	L	M	N	d	FINITURA
VC5210.050	150P	79.5	154	80	132	58	9	2 zinc./galv.

VC5300

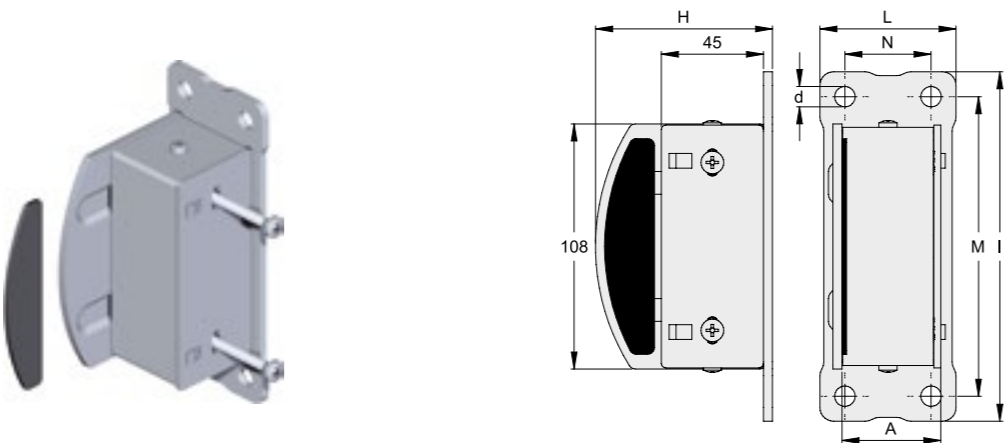
Battente a parete con tassello
Wall stop with wall anchor



COD.	ART.	C	D	E	F	L	G	FINITURA
VC5300.030	149T.30	40	30	37.5	14.5	68.5	39	8 zinc./galv.

VC5211

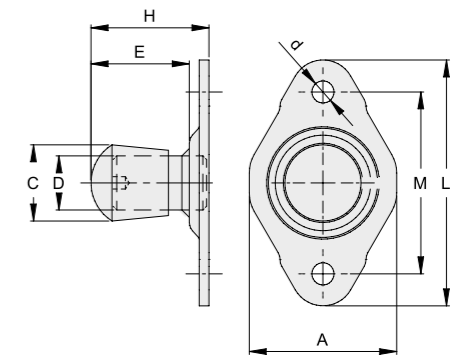
Battente porta-incontro con piastra 4 fori per elettroserrature a fissare
Door strike with 4 holes plate for electric locks to fix



COD.	ART.	A	H	I	L	M	N	d	FINITURA
VC5211.030	151.30P	30	78	154	60	132	38	9	4 zinc./galv.
VC5211.035	151.35P	35	78	154	60	132	38	9	4 zinc./galv.
VC5211.040	151.40P	40	78	154	60	132	38	9	2 zinc./galv.
VC5211.050	151.50P	50	78	154	80	132	58	9	2 zinc./galv.
VC5211.060	151.60P	60	78	154	80	132	58	9	2 zinc./galv.

VC5301

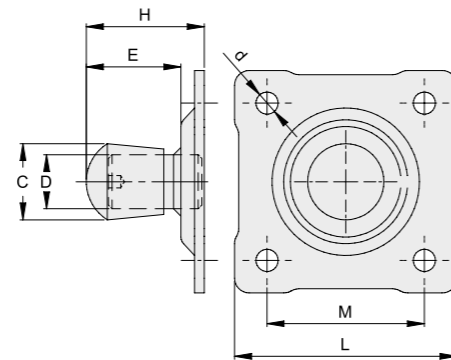
Battente a parete con piastra imbutita a due fori a fissare
Wall stop with 2 holes deep-drawn plate to fix



COD.	ART.	C	D	E	H	L	A	M	d	FINITURA
VC5301.022	149.22.1	31	22	38.5	48	100	60	74	9	8 zinc./galv.
VC5301.030	149.30.1	40	30	39	50	122	73	90	11	4 zinc./galv.

VC5302

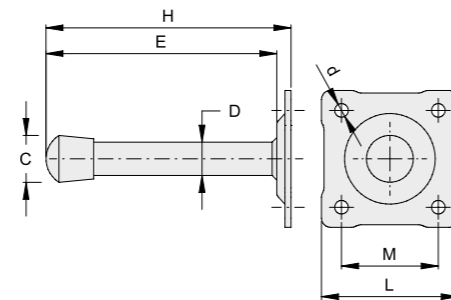
Battente a parete con piastra imbutita a 4 fori a fissare
Wall stop with 4 holes deep-drawn plate to fix



COD.	ART.	C	D	E	H	L	M	d	FINITURA
VC5302.022	149.22.2	31	22	38.5	48	90x90	64x64	9	zinc./galv.
VC5302.030	149.30.2	40	30	39	50	110x110	80x80	11	zinc./galv.

VC5303

Battente a parete con piastra imbutita a 4 fori a fissare
Wall stop with 4 holes deep-drawn plate to fix



COD.	ART.	C	D	E	H	L	M	d	FINITURA
VC5303.022	149.22.3	31	22	152.5	162	90x90	64x64	9	zinc./galv.
VC5303.030	149.30.3	40	30	251.5	262.5	110x110	80x80	11	zinc./galv.

VC6101



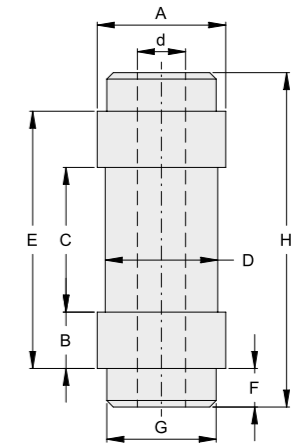
COD.	ART.	D	A	G	H	E	B	C	F	d	FINITURA	
VC6101.030.L	247.18F	30	35	29	89	69	14.5	40	10	15	10	lucido/black
VC6101.035.L	247.22F	35	40	34	104	80	17.5	45	12	15	6	lucido/black
VC6101.040.L	247.27F	40	50	44	110	80	15	50	15	15	4	lucido/black

VC6102

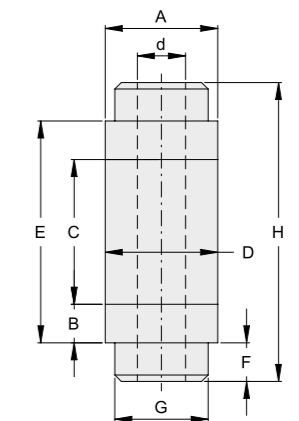


COD.	ART.	D	A	G	H	E	B	C	F	d	FINITURA	
VC6102.030.L	247.30F	30	30	24	80	60	10	40	10	15	10	lucido/black
VC6102.035.L	247.35F	35	35	29	93	69	12	45	12	15	6	lucido/black
VC6102.040.L	247.40F	40	40	34	110	80	15	50	15	15	4	lucido/black

Perno quadro di collegamento forato tipo 1
Square connecting drilled pin type 1



Perno quadro di collegamento forato tipo 2
Square connecting drilled pin type 2





Nail it.

**OUR TEAM OF IN-HOUSE ENGINEERS AND
APPLICATION SPECIALISTS ARE ON-HAND TO
DISCUSS, CONFIRM AND SUGGEST HARDWARE TO
FACILITATE THE BEST FUNTIONAL DESIGN OUTCOME.
NOT UNDER SPECCED.
NOT OVER SPECCED.**



D SPEC



STOPS •

team@d-spec.com.au
National: +61 3 9300 5105